



# INSTALLATION INSTRUCTIONS FOR TEUTONIC® SERIES

## GLASS LOOSE

RECOMMENDATIONS FOR INSTALLING GLASS AND GLAZING BEADS

---

---

Please read and follow the Installation Instructions completely before installing. If you have any questions about this or any of our products, please call your local Kolbe & Kolbe dealer.

### General Information

The quality of a completed window unit depends on the correct installation of the glass in the sash or frame. Therefore, proper installation and maintenance of this product is essential to its performance.

**Note:** The Kolbe Teutonic® Series is a dry glaze system using EPDM splines on the exterior as well as the interior.

### Job Site Tools for door Installation

- Steel Toe Footwear
- Safety Glasses
- Tape Measure
- Rubber or Hard Polymer Hammer
- Glass Gloves
- Protective Arm Guards

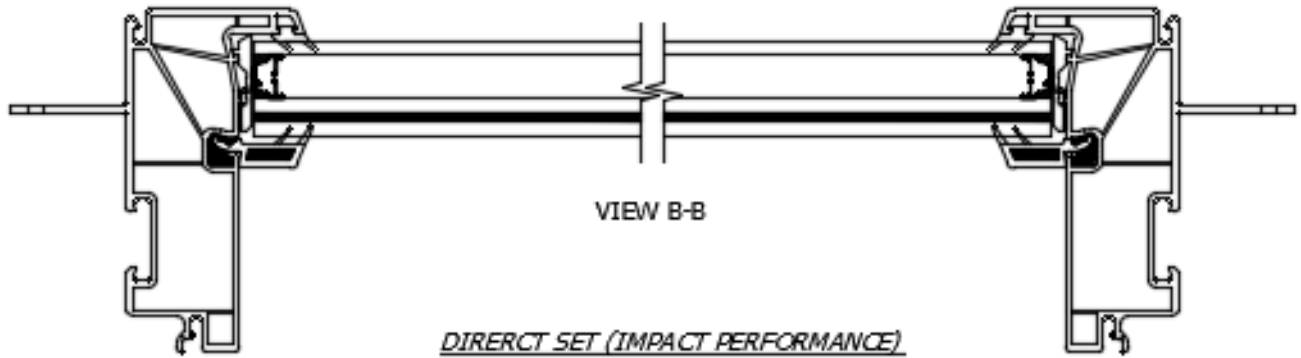
### **STEP #1: BEFORE GLAZING**

1. Check the glass unit for damage, specifically the edges of the glass.
2. **Attention:** Avoid glazing below 5°(41°F) as the PVC is more brittle in lower temperatures.

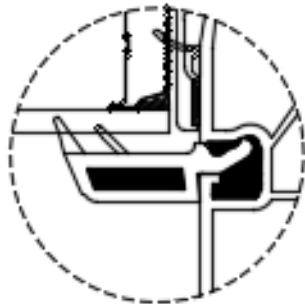
### **STEP #2: INSTALLATION OF THE GLASS**

1. Remove the glazing beads from the unit. Keep the beads arranged in the order they were taken out.
2. Inspect that the black EPDM glazing spline has not been torn during the handling and installation process.
3. Verify that all the glass support shims are still secure in the frame. The white pvc shims should be placed all around the unit frame/ sash and should be located at each corner (6") and spaced no greater than 24".
4. Properly face the glass correctly and ensure the etched Kolbe logo is facing the interior and is in the lower right side.
5. Install the glass bottom first into the frame/sash centering it in the opening,
6. Install glazing beads using a rubber or hard polymer hammer. No silicone is required unless the unit is impact performance. For impact performance please use Tremco Proglaze SSG - black.

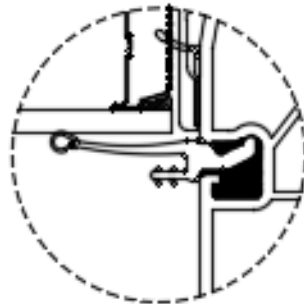
## Impact Performance



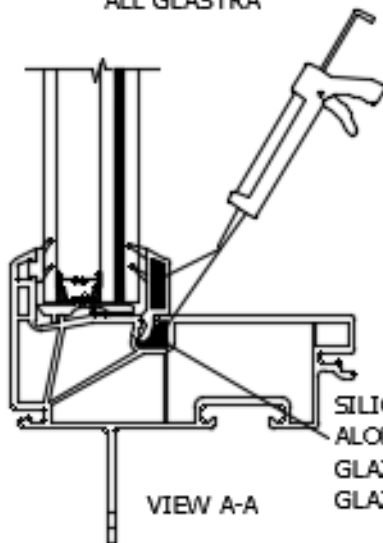
*LOWER ENDS OF THE SILL HORIZONTAL GLAZING BEAD MUST HAVE SEALANT APPLIED TO COMPLETELY SEAT THE CHAMBERS. IN ADDITION, THE GLAZING BEAD GROOVE ON THE SASH MUST HAVE SEALANT APPLIED CONTINUOUSLY AROUND THE ENTIRE PERIMETER OF THE SASH. THIS APPLICATION WILL PREVENT WATER FROM PENETRATING THE SASH.*



ALL GLASTRA



GLASTRA WOOD



SILICONE IS TO BE APPLIED CONTINUOUS ALONG THE ENTIRE LENGTH OF THE VERTICAL GLAZING BEAD GROOVES & HORIZONTAL GLAZING BEAD GROOVES.

