

TILT & SLIDE DOOR MAINTENANCE AND DOOR ADJUSTMENT INSTRUCTIONS

RECOMMENDATIONS FOR ADJUSTING, TROUBLE SHOOTING AND
GENERAL MAINTENANCE.

DO NOT DISCARD Please leave the Maintenance Guide with the home owner to file for future reference.

Job Site Tools for door Adjustments

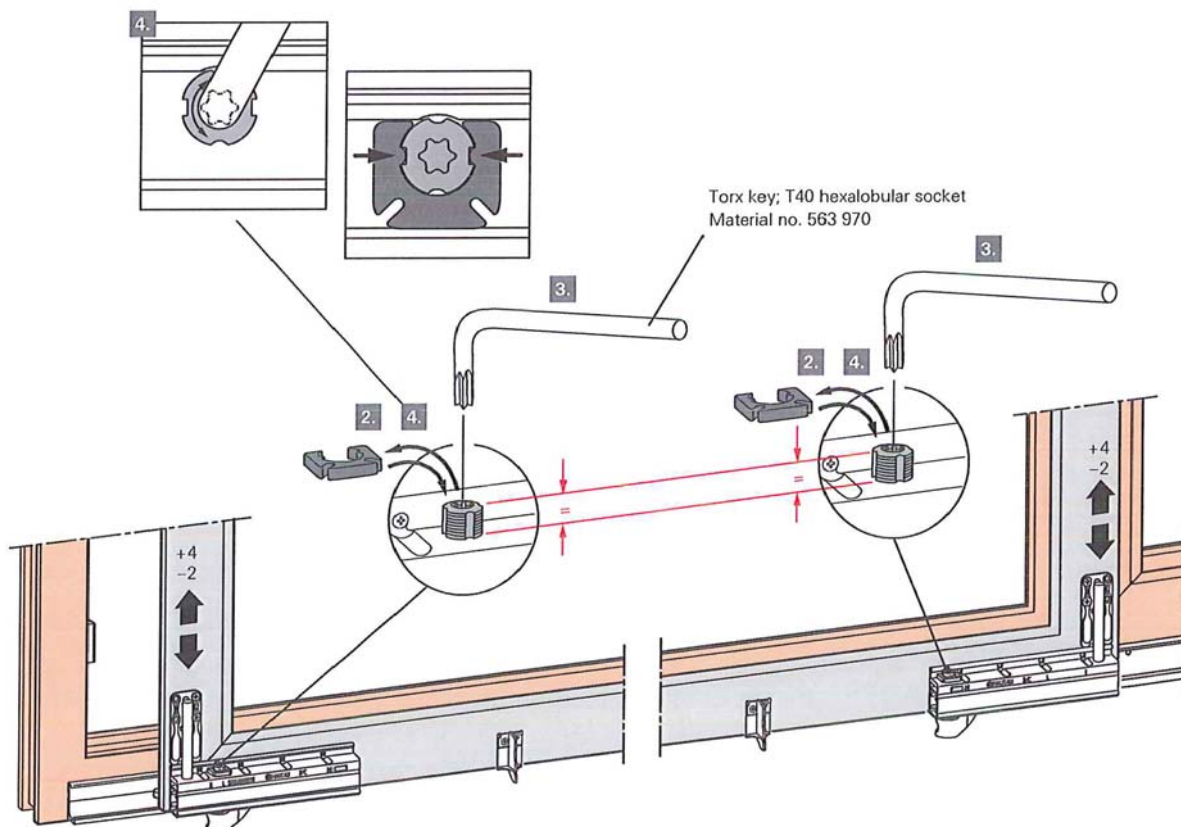
- T40 Allen Torx Key
- T25 Allen Torx Key

Job Site Tools for general Maintenance

- White Multi-Purpose Grease-acid free
- Acid-free oil-acid free

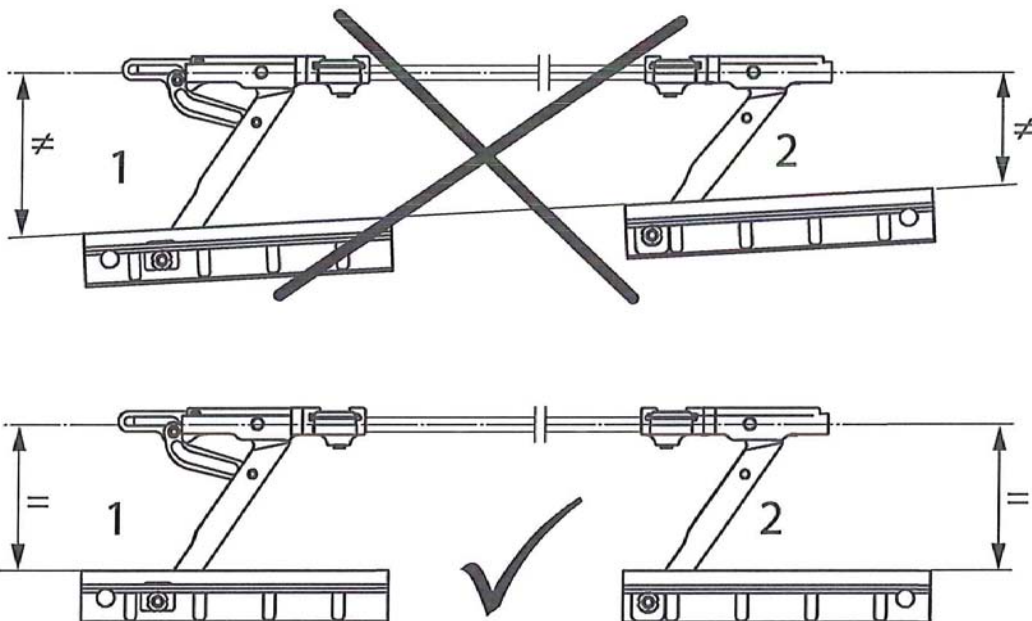
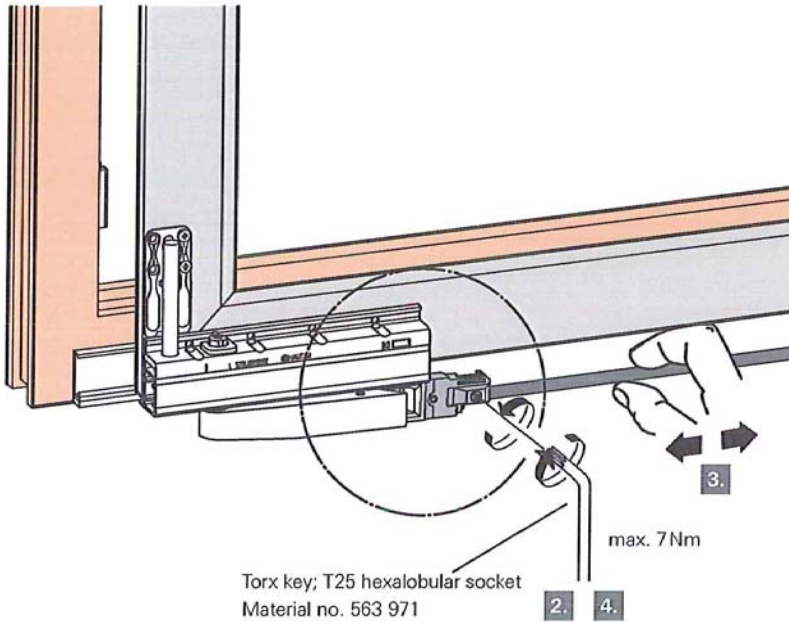
Aligning the Sash Horizontally

1. Check the clearance all around the door.
2. Remove the operating door panel end caps located at the bottom of the door rail. Slide out by pulling.
3. Remove the aluminum cover by pulling the bottom edge away from the door. The cover will release from the bogie wheels.
4. Remove the red anti-twist devices.
5. Raise the bogie wheels by adjusting the screws with a T40 torx key. 1 adjustment screw per bogie wheel.
6. The bogie wheels must be adjusted evenly at their adjusting screws in order to avoid jamming.
7. Operating the door and verify operating. Lock, tilt and open.
8. Install the red anti-twist devices after adjusting the bogies. Install the cover and end caps as well.



Aligning the Bogies Parallel

1. Remove the operating door panel end caps located at the bottom of the door rail. Slide out by pulling.
2. Remove the aluminum cover by pulling the bottom edge away from the door. The cover will release from the bogie wheels
3. Move the sash into the tilted position.
4. Loosen the connecting rod on the handle-sided bogie with a T25 torx key.
5. Align the hinged-sided bogie wheel parallel by sliding the connecting rod to the left or right.
6. Tighten up the connecting rod on the handle- sided bogie with the T25 torx key.
7. Install the cover and end caps.

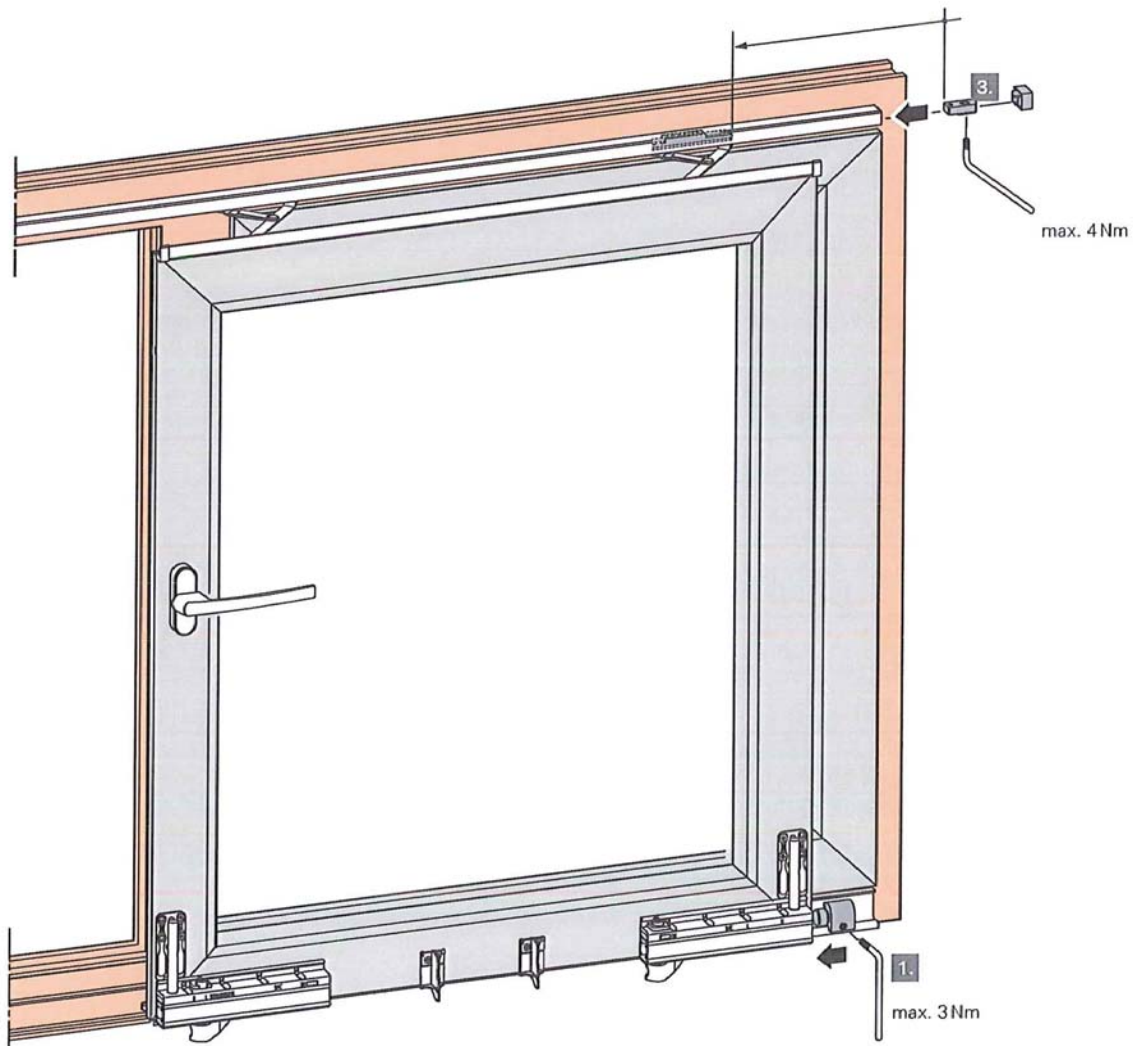


Mounting the buffer stops

1. Screw on the bottom buffer-stop to the roller track in the desired position with a T25 torx key. Be sure to check that the exterior handle if one is used does not hit the door frame when open.
2. Slide the sash as far as the buffer stop.
3. Slide the top buffer-stop into the guide track. The end cap needs to be removed if a new buffer-stop is being used. Screw on the top buffer-stop to the guide track in the desired position with a T25 torx key.
4. Apply the end cap.

Important advice:

In order to avoid damaging the hardware components, the sash must run up against the top and bottom buffer-stop simultaneously.



Torx key; T25 hexalobular socket
Material no. 563 971

Maintenance

Function and condition of the hardware is to be checked. All functioning hardware components are to be greased respectively oiled at least once annually.

Use acid free white general purpose grease and acid free oil.

Items to be oiled or greased.

- Scissors stay
- Pin guiding slot on the bogie and guide-block point of entry
- Strikers and locking cams
- Snapper catches on the link gears

Damaged hardware components are to be replaced, especially if they are load-bearing hardware components. The hardware may only be cleaned with a soft cloth and never mild, pH-neutral cleaning agent in diluted form. Never use aggressive, acid cleaners or abrasive cleaning agents. This can lead to damage.

