

IT IS HIGHLY RECOMMENDED THAT THE INSTRUCTIONS BE READ THROUGH BEFORE INSTALLATION.



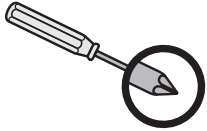
# CASCADE

## VERTICAL PULL-DOWN RETRACTABLE WINDOW SCREEN INSTALLATION INSTRUCTIONS

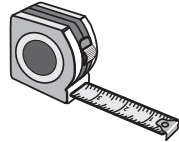
SCREEN KITS USING 41mm or 42mm CASSETTE

### INSTALLATION TOOLS

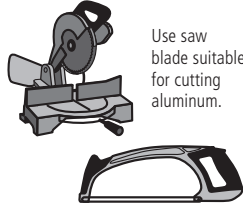
PHILLIPS SCREWDRIVER



MEASURING TAPE



HAND-HELD OR  
POWER SAW



POWER DRILL & BITS

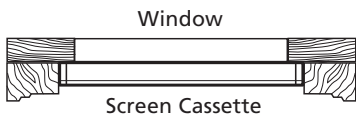
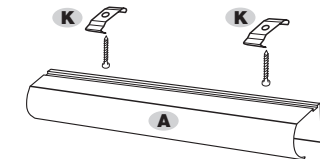


SOFT Mallet

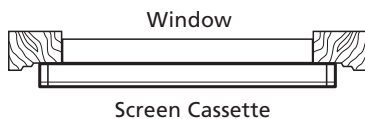
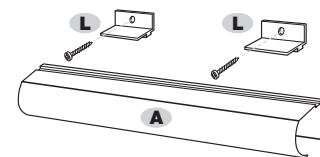


### INSTALLATION PREP

#### 1-A Recess Installation



#### 1-B Surface Installation



## 1 MOUNTING OPTIONS

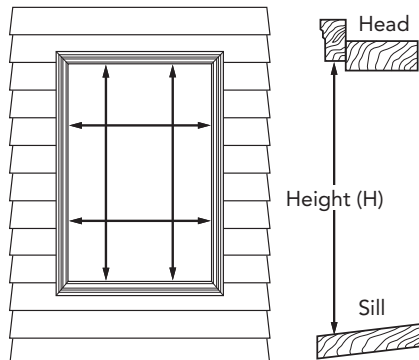
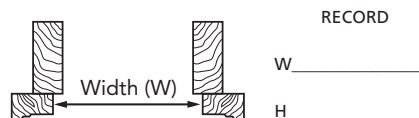
**1-A Recess Installation :** Mount the A-Screen Cassette using K-Recess Mounting Clips inside the window frame. Recess Installations are the most common.

**1-B Surface Installation :** Surface / Flush Mount the A-Screen Cassette using L-Surface Mount Clips.

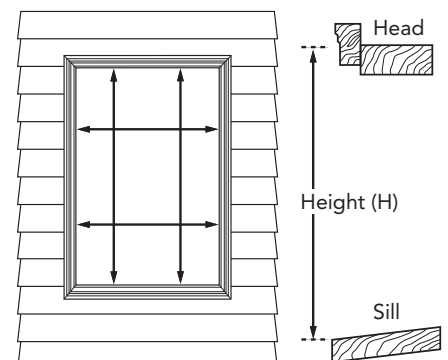
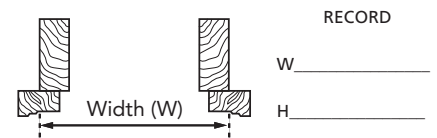
## 2 MEASURING

Measure the opening width and height in several places and record the smallest width and height measurement [2-A or 2-B]. If you have ordered a custom made screen, proceed to installation Step 8.

#### 2-A Recess Installation

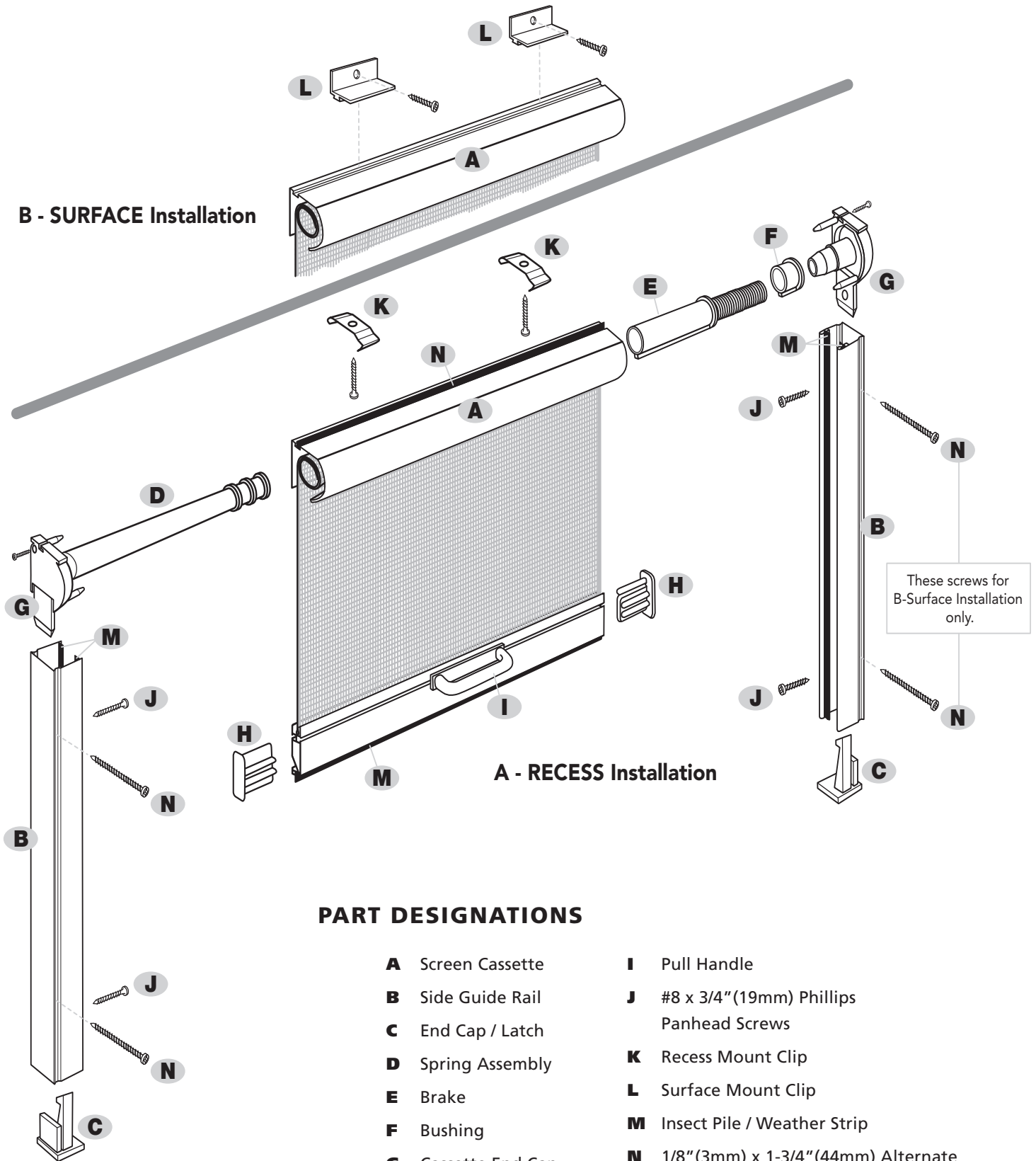


#### 2-B Surface Installation



SCREEN KITS USING 41mm or 42mm CASSETTE

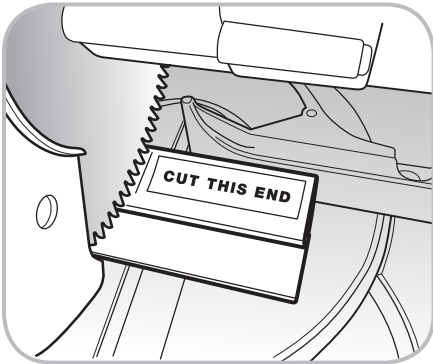
**B - SURFACE Installation**



**A - RECESS Installation**

**PART DESIGNATIONS**

- |                           |   |
|---------------------------|---|
| <b>A</b> Screen Cassette  | <b>I</b> Pull Handle  |
| <b>B</b> Side Guide Rail  | <b>J</b> #8 x 3/4" (19mm) Phillips Panhead Screws                             |
| <b>C</b> End Cap / Latch  | <b>K</b> Recess Mount Clip  |
| <b>D</b> Spring Assembly  | <b>L</b> Surface Mount Clip   |
| <b>E</b> Brake            | <b>M</b> Insect Pile / Weather Strip  |
| <b>F</b> Bushing          | <b>N</b> 1/8" (3mm) x 1-3/4" (44mm) Alternate Guide Rail Surface Mount Screws |
| <b>G</b> Cassette End Cap |   |
| <b>H</b> Pull Bar End Cap |   |



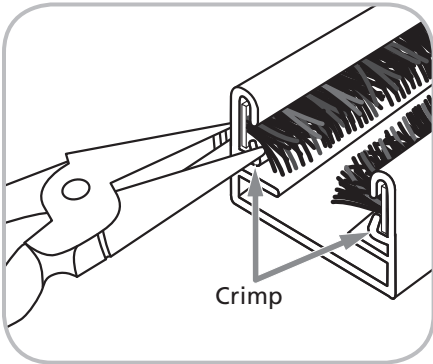
### 3 CUTTING THE CASSETTE

Notice that the **A-Screen Cassette** has two removable stickers labeled "Begin Measuring From This End" (Side A), and another labeled "Cut This End" (Side B). Starting from Side "A", mark your required dimension, then subtract 3/8" (9.5mm) from Step 2 width measurements.

$$\text{_____ (W)} - 3/8" = \text{_____}$$

The 3/8" (9.5mm) deduction is an allowance for the **G-Cassette End Cap with E-Brake** that you will install in **STEP 5**.

Firmly hold the **A-Screen Cassette & Pull Bar** and cut to size (including the screen). Hold upright and tap away the metal shavings.



### 4 CUTTING THE SIDE GUIDE RAILS

Notice that the **B-Side Guide Rails** already have a **C-End Cap/Latch** installed at one end of the rail. **DO NOT CUT THIS END**; cut the opposite end. Mark your required net height dimension, then subtract 2-1/8" (54mm) from Step 2 width measurements. Cut the **B-Side Guide Rails** to size. Hold upright and tap away the metal shavings.

Be sure to cut the end that does not have the **G-Cassette End Cap** already installed.

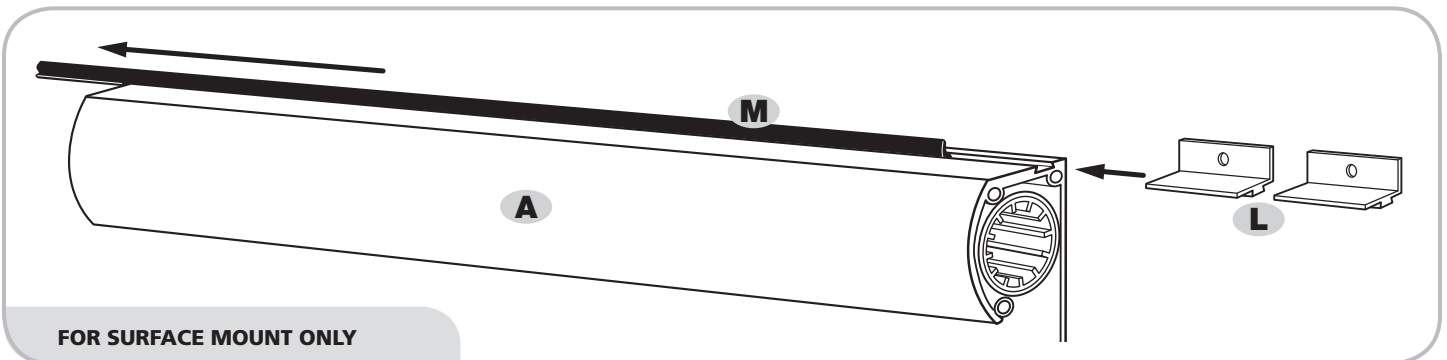
$$\text{_____ (H)} - 2-1/8" = \text{_____}$$

After cutting the **B-Side Guide Rails**, use pliers to crimp the **M-Insect Pile/Weather Strip** in place [see picture at left] so that it does not move in the holding channels.

### 5 INSECT PILE / WEATHER STRIP

**Recess Mount Applications :** The **M-Insect Pile/Weather Strip** is already installed in the channel located on the rear of the Cassette.

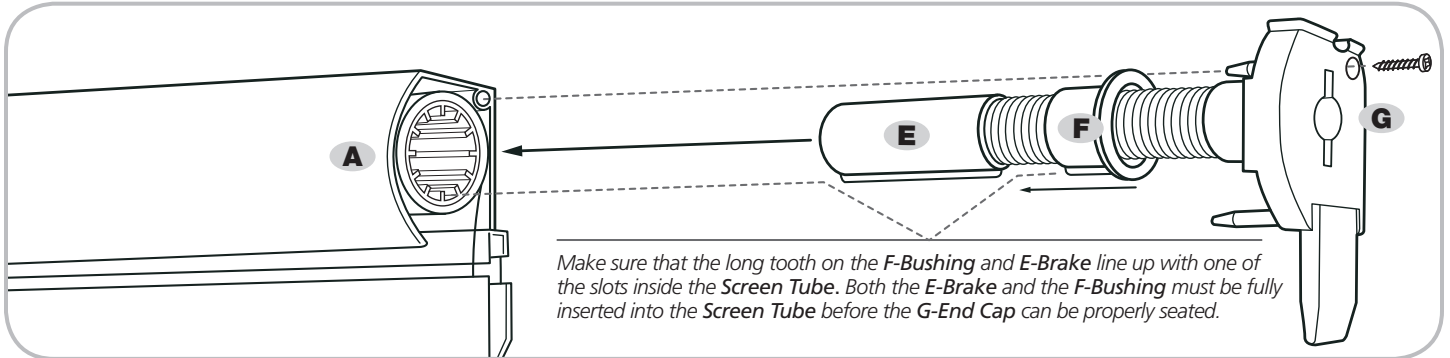
**Surface Mount Applications :** Remove the **M-Insect Pile/Weatherstrip** from the channel at the top back of the **A-Screen Cassette**. Then slide the runners on the bottom of two (2) **L-Surface Mount Clips** into the same channel, **BEFORE** installing **G-End Caps**. Note: the position of the **L-Surface Mount Clips** can be adjusted at any time once installed in the channel.



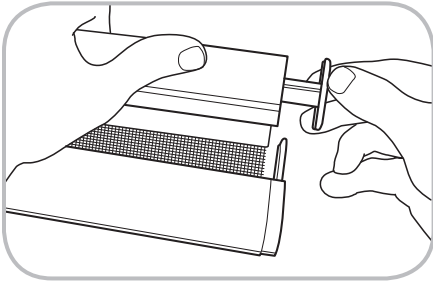
**FOR SURFACE MOUNT ONLY**

## 6 END CAP ASSEMBLY CONT.

The E-Brake, F-Bushing and G-Cassette End Cap come pre-assembled.



Slip the F-Bushing down the coiled spring to the E-Brake. On the open end of the A-Screen Cassette, insert the E-Brake with F-Bushing into the center of the Screen Tube, aligning the long tooth on both as noted above. Next, match up the large pin on the top of the G-End Cap to the corresponding hole at the top of the A-Screen Cassette Housing. Tap evenly with a soft mallet until the assembly fits snugly.

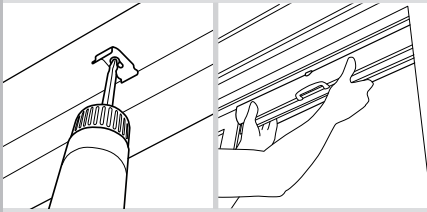


## 7 PULL BAR END CAP

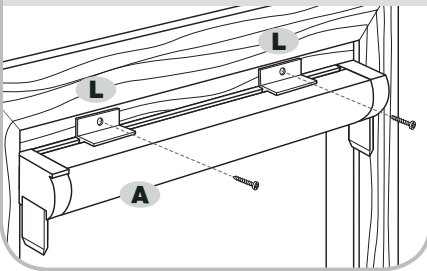
Insert the H-Pull Bar End Cap into the end of the Pull Bar and tap in place using a soft mallet.

**INSTALLATION**

**8-A Recess Installation**



**8-B Surface Installation**



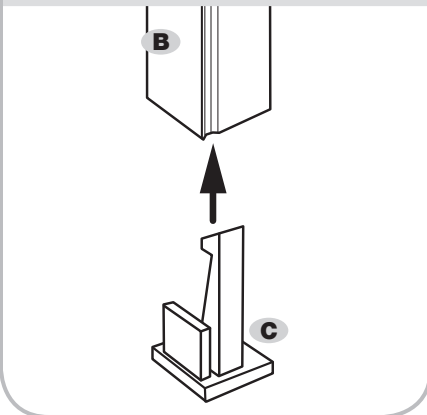
**NOTE:** It is critical that the Screen Cassette and Rails be installed square and plumb in the door opening. Apply shims (not supplied) as needed.

**8** INSTALLING THE CASSETTE

**8-A Recess Installation :** Use J-#8 x 3/4" (19mm) Phillips Panhead Screws to install K-Recess Mount Clips to the door frame approx. 4" in from each side. Snap only the A-Screen Cassette into the Mount Clips.

**8-B Surface Installation :** Position the A-Screen Cassette, insert J-#8 x 3/4" (19mm) Phillips Panhead Screws into L-Surface Mount Clips and secure A-Screen Cassette to the frame.

**9** End Cap/Latch Position



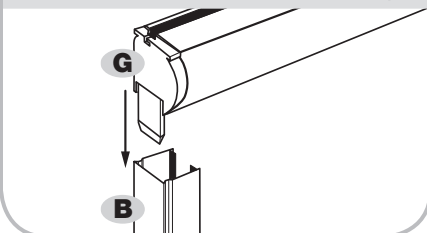
**9** INSTALL THE SIDE RAILS

Before installing the two B-Side Guide Rails, rotate them so that the decorative groove on the rail and the C-End Cap / Latches are positioned as shown in [9]. The C-End Cap / Latch must be positioned in this manner in order for the 'hook' of the latch to correctly engage the A-Screen Cassette Pull Bar when the screen is extended.

**9-A Recess Installation :** Insert both B-Side Guide Rails onto the protruding tabs of the G-Cassette End Caps [9-A.1].

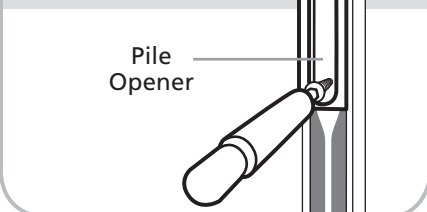
Align the B-Side Guide Rails into the final position. Drill 3/16" (5mm) pilot holes at 3" (76mm) in from either end and in the center in between. Attach the B-Side Guide Rail to the door frame using J-#8 x 3/4" (19mm) Phillips Panhead Screws. When installing the B-Side Guide Rail, use the Black Plastic Pile Opener Tool that is provided with the screen kit to move the M-Insect Pile/Weather Strip out of the way while screwing the rails to the frame [9-A.2].

**9-A.1** Side Rail to Cassette End Cap

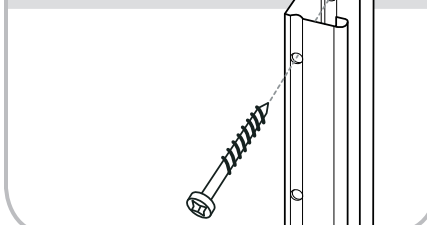


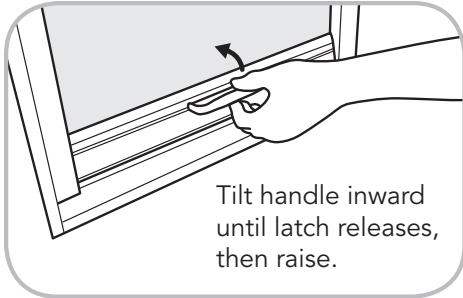
**9-B Surface Installation :** Using the decorative trim groove as a guide (and staying to the outside of the glide platforms inside the rail), drill three evenly spaced 1/8" (3mm) holes through both sides of the B-Side Guide Rail. Secure the Guide Rail to the door with N-1/8" (3mm) x 1-3/4" (44mm) Alternate Guide Rail Surface Mount Screws provided in the bag labeled Surface Mount Kit. Do not over tighten screws.

**9-A.2** Recess Install



**9-B** Surface Install





### OPERATION OF THE SCREEN

The internal lock mechanism will automatically catch once the rollerscreen is fully extended. To retract the screen, nudge the I-Pull Handle inwards slightly to release the lock.

**WARNING:** Please use eye protection when cutting and installing your screen. This is not a safety or security screen. This product will not stop a child or pet from falling, provide security or protect your belongings.

## TROUBLESHOOTING GUIDE

### **RETRACTABLE SCREEN IS DIFFICULT TO PULL OR BOUNCES AS IT OPENS AND CLOSSES:**

- ▶ Check **B-Side Guide Rails** for screws that are not flush to the side housing. A lopsided screw head could interfere with screen action.
- ▶ Clean any debris from inside the **B-Side Guide Rails**.
- ▶ Make sure **A-Screen Cassette** has a 90° cut. If not, trim to a straight cut.
- ▶ A bouncing effect may indicate that the **F-Bushing** is not properly inserted inside the Screen Tube.
- ▶ Check if **A-Pull Bar** is rubbing against the **B-Side Guide Rails**. Trim down accordingly.
- ▶ Check to see that the **H-Pull Bar End Cap** is gliding freely.

### **THE RETRACTABLE SCREEN BINDS OR WILL NOT RETRACT INTO THE CASSETTE HOUSING PROPERLY:**

- ▶ See above steps.
- ▶ Make sure screen fabric is cut clean. A jagged cut will interfere with screen action.
- ▶ Check to see if the housing or inner tube have been twisted, bent or otherwise damaged during shipping.

### **SCREEN HAS BECOME TORN OR DAMAGED:**

- ▶ Replace the mesh using a Screen Refill Replacement Kit.