

GLASS LOOSE INSTALLATION INSTRUCTIONS

RECOMMENDATIONS FOR INSTALLING GLASS AND GLAZING BEADS

Please read and follow the Installation Instructions completely before installing. If you have any questions about this or any of our products, please call your local Kolbe & Kolbe dealer.

General Information

The quality of a completed window unit depends on the correct installation of the glass in the sash or frame. Therefore, proper installation and maintenance of this product is essential to its performance.

Note: The Kolbe Teutonic Series is a dry glaze system using EPDM splines on the exterior as well as the interior.

Job Site Tools for door Installation

- Steel Toe Footwear
- Hard Hat
- Harness and Tie offs (per site regulations)
- Safety Glasses
- Tape Measure
- Rubber or Hard Polymer Hammer
- Glass Gloves
- Protective Arm Guards

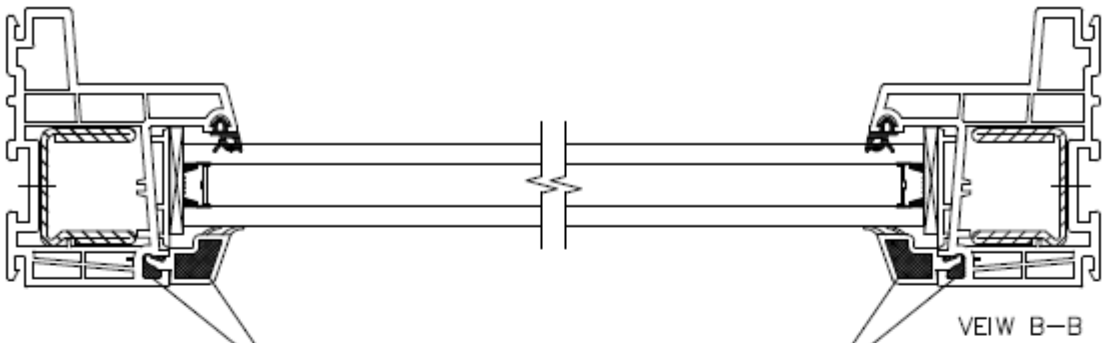
STEP #1: BEFORE GLAZING

1. Check the glass unit for damage, specifically the edges of the glass.
2. **Attention:** Avoid glazing below 5°(41°F) as the PVC is more brittle in lower temperatures.

STEP #2: INSTALLATION OF THE GLASS

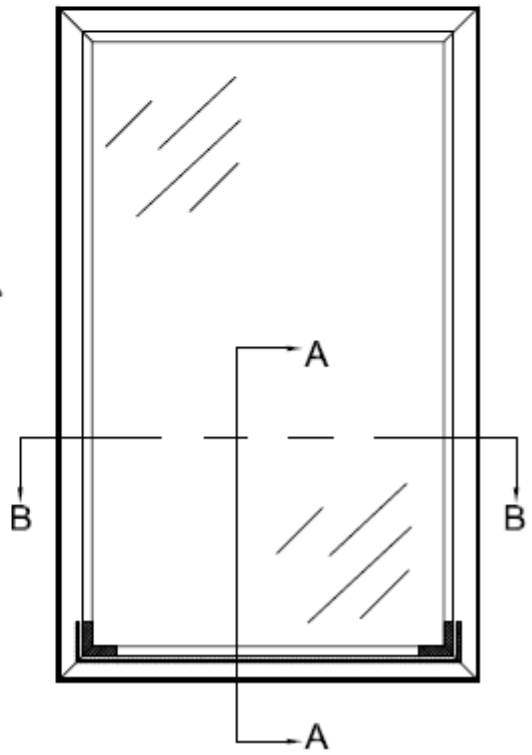
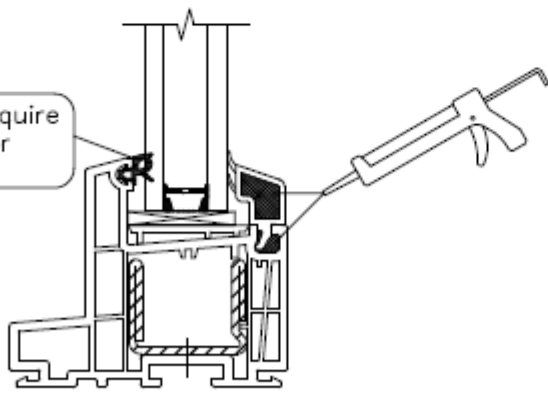
1. Remove the glazing beads from the unit. Keep the beads arranged in the order they were taken out.
2. Inspect that the black glazing spline is still inserted into the glazing groove and that it has not fallen out or been torn during the handling and installation process.
3. Verify that all the grey support shims are still secure in the frame. The shims should be placed all around the unit frame/ sash and should be located at each corner (6”), each lock point if operating and spaced no greater than 24”.
4. Apply the black adhesive backed 4mm shims to each grey support shim.
5. Install the glass sill first into the frame/sash centering it in the opening.
6. Install glazing beads using a rubber or hard polymer hammer. See glazing bead sealant details below and follow as shown.

Glazing bead sealant application on fixed or operating units with North American or European Frames
Commercial Performance



LOWER ENDS OF BOTH VERTICAL GLAZING STOPS, AS WELL AS EACH END OF LOWER HORIZONTAL GLAZING STOPS, MUST HAVE SEALANT APPLIED TO COMPLETELY SEAT THE CHAMBERS. IN ADDITION, EACH LOWER CORNER OF THE GLAZING STOP GROOVE ON THE FRAME, MUST HAVE SEALANT APPLIED APPROXIMATELY 2" IN THE VERTICAL DIRECTION & FULL LENGTH AT THE SILL. THIS APPLICATION WILL PREVENT WATER FROM PENETRATING THE FRAME.

1" IG units require the 865002 or 5.8MM seal.



Glazing bead sealant application on fixed or operating units with North American or European Frames
Impact Performance

